

Legacy® HD

Improved Shoulder Support - Full 19 Inches - 2 Inches More Than Major Competitors

Mid-Highback or Highback

Fully Reclining

4 Position Cushion Adjust

D2 Foam Cushion Comfort Technology

EVC Cushion Technology

Glide-A-Lator (Isolator)

22" Cushion

7" Double Locking Tracks

Adjustable Arms With E-Z Adjust Turn Wheel

Mesh Pocket On Back Of Seat

Heavy Duty Wide Parallelogram Suspension

Air Lumbar

Optional Heater or Heater & Massage

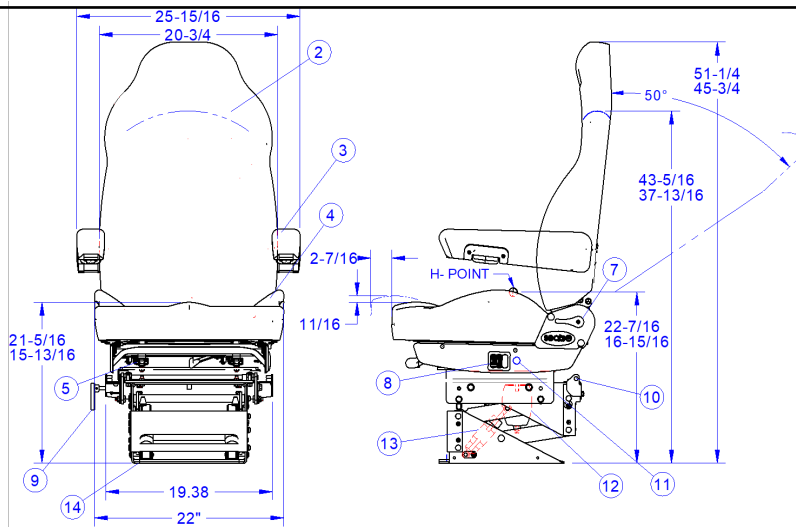
Legacy® HD	High Back	Mid Back
Legacy® HD	188906	188896
Legacy® HD Two Tone	188122	188194

- Add letter for fabric type and color code: "K" for SyncPLUS Cloth, "F" for Tuff Cloth, "M" for DuraLeather™, or "Q" for SyncPLUS & DuraLeather™ Cloth Combo
188906M
- Then add "W" for underadjust arms or "N" for no arms
188906MW
- Then add 2 or 4 Digit corresponding color code - see below
188906MW61

Optional Features:

- "B" Bellows
188906MWB61 Legacy® HD with Bellows
- "H" Heater
188906MWH61 Legacy® HD with Heater
- "Z" Bellows & Heater
188906MWZ61 Legacy® HD w/ Bellows & Heater
- "O" Heater Massage
188906MWO61 Legacy® HD w/ Heater Massage
- "X" Bellows & Heater Massage
188906MWX61 Legacy® HD w/Bellows & Heater Massage

SyncPLUS(K)		Tuff Cloth(F)		Tufftex™(F)		DuraLeather™(M)		Two-Tone DuraLeather™(M) or SyncPLUS/DuraLeather™(Q)	
Black	21	Black	631	Black	31	Black	61	Black/Blue	1162
Blue	22	Brown	633	Brown	33	Blue	62	Black/Brown	1163
Brown	23	Gray	635	Gray	35	Brown	63	Black/Burgundy	1164
Burgundy	24			Available for		Burgundy	64	Black/Gray	1165
Gray	25			Parts only		Gray	65	Black/Gray SyncPlus	1425





Legacy[®]

HD

Service Parts

Ref. #	Description	Part Number	
Back Assemblies & Back Covers			
2		Highback	Midback
	Standard Back Assembly - Single Air Lumbar	188003	188021
	Two-Tone Back Assembly - Single Air Lumbar	188013	188024
	Standard Back Cover	310137	310138
	Two-Tone Back Cover	310146	310147
Arms & Arm Hardware			
3	Set of Arms	181969	
	Left Arm	181970	
	Right Arm	181971	
	Left Arm Cover	310144	
	Right Arm Cover	310145	
	Armrest Hardware - L or R	182452PS	
	Arm Removal Plug	185434PS	
Cushion Assemblies			
4	Standard Cushion Assembly	188004	
	Two-Tone Cushion Assembly	188014	
Additional Service Parts			
5	7" Double Locking Tracks	106661PS	
7	Recliner Adjustment Knob With Hardware	180301PS	
	Recliner Replacement Kit	182414PS	
8	Air Valve, Height & Lumbar on or before 12/31/2018	781188PS	
	Air Valve, Height & Lumbar on or after 1/1/2019	781211PS	
	Bezel	781208PS	
9	Glide-A-Lator (Isolator) Handle with Pin	105678PS	
10	ICP for HD Suspension	177998PS	
11	Heater Toggle Switch	188047PS	
	Heater Massage Toggle Switch	188075PS	
	12 Volt Heater Box *Extended 20 business day lead-time*	185533PS	
	12 Volt Heater Massage Box *Extended 20 business day lead-time*	185534PS	
12	Air Spring	107338PS	
13	Shock Absorber	102362PS	
14	Heavy Duty Parallelogram Air Suspension with Isolator	177603PS	
	Bellow & Bracket for Legacy [®] HD Suspension with Isolator	181714PS	
	Bellow Only (replacement) for Legacy [®] HD Suspension w/ Isolator	181964PS	
	Shoulder Bolt	707843PS	
	Rubber Bumper	707813PS	
	12 Volt Self-Contained Air Compressor - Mounting Bracket Included. Kit does not work with HD suspension, will have to be mounted independently.	179883PS	
	Lower Lumbar Air Bag on or before 2/1/2016	186317PS	