

Legacy[®] SILVER

Improved Shoulder Support - Full 19 Inches - 2 Inches More Than Major Competitors

Mid-Highback or Highback

Fully Reclining

4 Position Cushion Adjust

D2 Foam Cushion Comfort Technology

EVC Cushion Technology

Glide-A-Lator (Isolator)

22" Cushion

7" Double Locking Tracks

Adjustable Arms With E-Z Adjust Turn Wheel

Mesh Pocket On Back Of Seat

Standard Parallelogram Suspension

2 Way Air Lumbar

Optional Heater or Heater & Massage

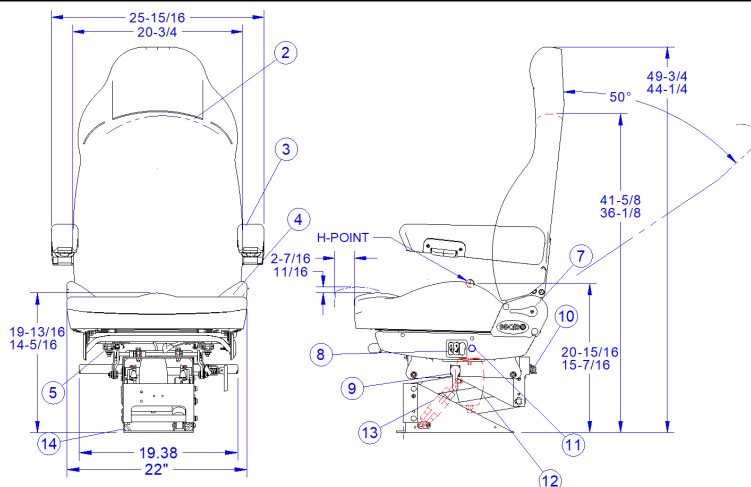
Legacy [®] SILVER	High Back	Mid Back
Legacy [®] SILVER	188900	188891
Legacy [®] SILVER Two Tone	188121	188193
Legacy [®] SILVER with Driver Swivel	188543	188893
Legacy [®] SILVER with Driver Swivel Two Tone	188124	188196

- Add letter for fabric type and color code: "K" for SyncPLUS Cloth, "F" for Tuff Cloth, "M" for DuraLeather™, or "Q" for SyncPLUS & DuraLeather™ Cloth Combo
188900M
- Then add "W" for underadjust arms or "N" for no arms
188900MW
- Then add 2 or 4 Digit corresponding color code - see below
188900MW61

Optional Features:

- "B" Bellows
188900MWB61 Legacy[®] SILVER with Bellows
- "H" Heater
188900MWH61 Legacy[®] SILVER with Heater
- "Z" Bellows & Heater
188900MWZ61 Legacy[®] SILVER w/ Bellows & Heater
- "O" Heater & Massage
188900MWO61 Legacy[®] SILVER w/ Heater & Massage
- "X" Bellows, Heater & Massage
188900MWX61 Legacy[®] SILVER w/ Bellows, Heater & Massage

SyncPLUS(K)		Tuff Cloth(F)		Tufftex™(F)		DuraLeather™(M)		Two-Tone DuraLeather™(M) or SyncPLUS/DuraLeather™(Q)	
Black	21	Black	631	Black	31	Black	61	Black/Blue	1162
Blue	22	Brown	633	Brown	33	Blue	62	Black/Brown	1163
Brown	23	Gray	635	Gray	35	Brown	63	Black/Burgundy	1164
Burgundy	24			Available for		Burgundy	64	Black/Gray	1165
Gray	25			Parts only		Gray	65	Black/Gray SyncPlus	1425





Legacy[®] SILVER Service Parts

Ref. #	Description	Part Number
Back Assemblies & Back Covers		
2		Highback
		Midback
	Standard Back Assembly	188003
	Two-Tone Back Assembly	188013
	Standard Back Cover	310137
	Two-Tone Back Cover	310146
Arms & Arm Hardware		
3	Set of Arms	181969
	Left Arm	181970
	Right Arm	181971
	Left Arm Cover	310144
	Right Arm Cover	310145
	Armrest Hardware - L or R	182452PS
	Arm Removal Plug	185434PS
Cushion Assemblies		
4	Standard Cushion Assembly	188004
	Two-Tone Cushion Assembly	188014
Additional Service Parts		
5	7" Double Locking Tracks Without Swivel	110167PS
	7" Double Locking Tracks with Swivel	110170PS
13	Shock Absorber	102362PS
8	Air Valve, Height & Lumbar	781211PS
	Plug	781209PS
	Bezel	781208PS
9	Glide-A-Lator (Isolator) Handle With Pin	105678PS
7	Recliner Adjustment Knob With Hardware	180301PS
	Recliner Replacement Kit	182414PS
10	ICP - Standard	112900PS
12	Air Spring	107338PS
14	Standard Parallelogram Air Suspension With Isolator on or before 4/2/2015	102144PS
	Parallelogram Air Suspension With Isolator on or after 4/3/2015 non-swivel seats	185525PS
	Standard Parallelogram Air Suspension- Isolator & Driver Swivel	179315PS
11	Heater Toggle Switch	188047PS
	Heater Massage Toggle Switch	188075PS
	12 Volt Heater Box *Extended 20 business day lead-time*	185533PS
	12 Volt Heater Massage Box *Extended 20 business day lead-time*	185534PS
	Knob for Swivel Handle	180323PS
	Lower Lumbar Air Bag Kit on or after 2/1/2016	186317PS
	Bushing Replacement Kit on or before 4/2/2015	102151PS
	Shoulder Bolt	707843PS
	Plastic Bushings	707606PS
	Conical Dual Level Bumper	781435PS
	Bellow & Bracket (Replacement Only)	188140PS
	Bellows Only (Replacement Only)	782692PS