

## Adapter Plate OVERVIEW

Below Adapter Plates are FMVSS Certified ONLY for Seats Incorporated Seats



### Class 8 Truck Adapters

TRUCK STYLE	ADAPTER	NOTES	DRAWINGS
VOLVO® (2001 and newer)	177678PS 183764PS*  188461PS	- Wider mounting required for new Volvo V's - Includes I Shift Bracket PLUS adapter plate *183764PS will not adapt to the Pinnacle Includes I Shift Bracket PLUS adapter plate - Pinnacle only	
Freightliner® (11-15-2002 to 4-28-2009)	179181PS	- EZ Rider Adapter for Century, Columbia, Argosy - Some Sterling Models - Includes Tethers	
Freightliner Cascadia®	185128PS	- Insulation and Flooring Spacers - Works with Pinnacle, SILVER, HD & LO	
International (2001 and newer)	178341PS	- Wider mounting required for new NGV's - Prostar®, Lonestar®, Durastar®, Workstar®, Terrastar®, LT®, RH™, MV™, HV™ - Works with Pinnacle, SILVER, HD & LO	
Kenworth® T680/T880/ W990 Peterbilt® 579/567 (2013 and newer)	183579PS	- When replacing a Gramag Seat - Works with Pinnacle, SILVER, HD, & LO - Includes Tethers	

### HD (Heavy Duty) Class 8 Truck Adapters

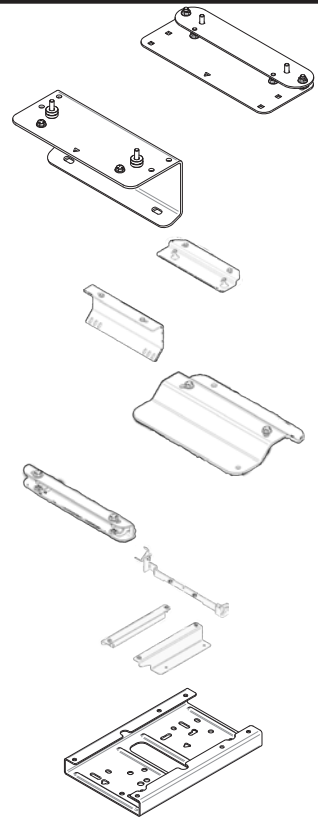
TRUCK STYLE	ADAPTER	NOTES	DRAWINGS
Freightliner® (11-15-2002 to 4-28-2009)	183852PS	- EZ Rider Adapter for Century, Columbia, Argosy - Some Sterling Models - Includes Tethers	
Freightliner FLD®	177988PS	- Raised Floor Adapter fits/extends over to give stability	
VOLVO® V's (2001 and newer)	178254PS 183963PS	- Wider mounting required for new Volvo V's - Includes I Shift Bracket PLUS adapter plate	

**Adapter Plate OVERVIEW**  
 Below Adapter Plates are FMVSS Certified ONLY for Seats Incorporated Seats



**LO (Low Profile) Suspension Adapters**

TRUCK STYLE	ADAPTER	NOTES
M2 & SD Freightliner®	I78655PS	- M2 curved mounting plate bolts directly to cab - I22 SD application requires full height suspension no adapter required
Freightliner® FL	I78092PS	- Replacing Suspension seat - Replacing Bench Seat with Suspension
International Passenger Side 9000 Series	I78435PS	- Mounts LO seats to heater box
Hino®	I81759PS	- Conventional cab configuration - Includes adapter and ICP
Class 8 Truck	I86304PS	- For Standard Class 8 mounting - For Heritage® only



**Refuse, Ford, GMC, Adapters--3R PRO Adapters**

Ford® (F650-750) (2000 - 2015)	I78093PS	- Drivers Side Only - When replacing A Suspension Seat Only
GMC® Topkick (2003 - 2010)	I79179PS	- Drivers Side Only - When Replacing A Suspension Seat Only
GMC® Topkick (1999 - 2003)	I78111PS	- Driver & Passenger side when replacing a suspension seat
Mack® MR Refuse	I80229PS	
Mack® LE Refuse	I78094PS	
AUTOCAR® WX / VOLVO® WX / Peterbilt® 320 Refuse	I81058PS	- Needed when replacing National or Sears - No adapter needed when replacing Bostrom

