

HERITAGE SILVER

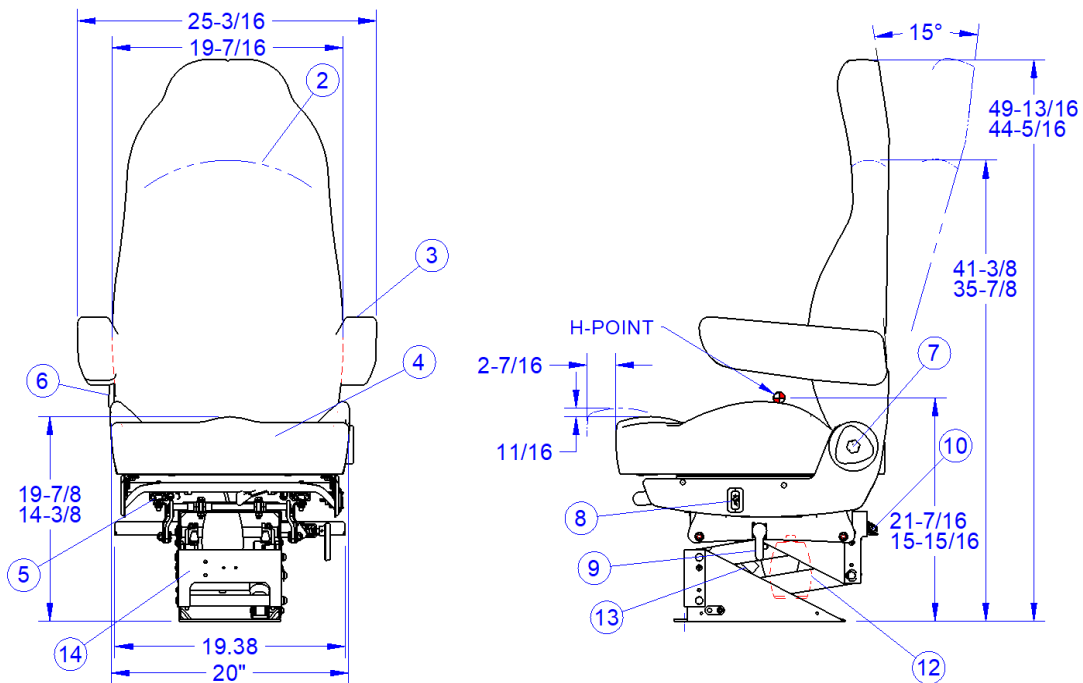
Mid-Highback or Highback
2 Way Mechanical Lumbar
15 Degree Recline
4 Position Cushion Adjust
With or Without Glide-A-Lator (Isolator)
20" Cushion
7" Double Locking Tracks
With our Without Arms
Standard Parallelogram Suspension

Heritage SILVER	High Back	Mid Back
Heritage SILVER WITH Isolator	189800	189802
Heritage SILVER WITHOUT Isolator	189801	189803

- Add letter for fabric type and color code:
"V" for Vinyl or "F" for Tuff Cloth
- Then add "A" for arms or "N" for no arms
- Then add 2 corresponding color code - see below

189800K
 189800KA
 188900KA21

<u>SyncPLUS(K)</u>		<u>Tuff Cloth(F)</u>		<u>Tufftex™(F)</u>		<u>Vinyl(V) After 07/15/2020</u>		<u>Vinyl(V) Before 07/14/2020</u>	
Black	21	Black	631	Black	31	Black	601	Black	01
Blue	22	Brown	633	Brown	33	Brown	603	Blue	02
Brown	23	Gray	635	Gray	35	Gray	605	Brown	03
Burgundy	24							Burgundy	04
Gray	25							Gray	05
Available for Parts only					Available for Parts only				



HERITAGE SILVER

Service Parts

Ref. #	Description	Part Number	
Back Assemblies & Back Covers			
2		Highback	Midback
	Back Assembly (7/14/20 and prior)	189001	189002
	Back Cover (7/14/20 and prior)	310514	310516
	Back Assembly (7/15/20 and after)	189021	189022
	Back Cover (7/15/20 and after)	189025	189026
Arms & Arm Hardware			
3		7/14/20 & Prior	7/15/20 & After
	Set of Arms	101690	189690
	Left Arm	100803	189691
	Right Arm	100802	189692
	Left Arm Cover	301028	189693
	Right Arm Cover	301028	189693
	Armrest Hardware - L or R		182535PS
Cushion Assembly			
4		7/14/20 & Prior	7/15/20 & After
	Cushion Assembly	189004	189024
Additional Service Parts			
5	7" Double Locking Tracks		107214PS
6	Lumbar Adjustment Lever with Pin		105678PS
7	Recliner Adjustment Knob With Hardware		103433PS
	Recliner Adjustment Knob Only		103204PS
8	Paddle Air Valve Only - Seats built on or before 10/02/2015		707130PS
	Paddle Air Valve with Hose - Seats built on or before 10/02/2015		103893PS
	Air Valve, Height Adjust with Side Port & Bezel Seats built on or after 10/03/2015		185489PS
	Air Valve, Height Adjust with Side Port Bezel & Hose Seats built on or after 10/03/2015		185490PS
	Bezel - Seats built on or after 10/03/2015		185890PS
9	Glide-A-Lator (Isolator) Handle with Pin		105678PS
10	ICP - Standard		112900PS
12	Air Spring		107338PS
13	Shock Absorber		102362PS
14	Standard Parallelogram Air Suspension with Isolator Seat built on or before April 2, 2015		102144PS
	Parallelogram Air Suspension with Isolator Seat built on or after April 3, 2015		185525PS
	Standard Parallelogram Air Suspension without Isolator Seat built on or before April 2, 2015		102143PS
	Parallelogram Air Suspension without Isolator Seat built on or after April 3, 2015		185526PS
	Bushing Replacement Kit - Seat built on or before April 2, 2015		102151PS
	Shoulder Bolt		707843PS
	Plastic Bushings		707606PS
	Conical Bumper 3/4"		707813PS
	Bellow and Bracket (Replacement)		188140PS
	Skirt - Seat built on or after Nov. 1, 2015		185591VN59
	Skirt - Seat built on or after May 2, 2018		186305VN459
	Bellow Only (Replacement)		782692PS
	12 Volt Self Contained Air Compressor with Mounting Bracket		179883PS