

Legacy[®] LO

Improved Shoulder Support - Full 19 Inches - 2 Inches More Than Major Competitors

Mid-Highback or Highback

Fully Reclining

4 Position Cushion Adjust

D2 Foam Cushion Comfort Technology

EVC Cushion Technology

Glide-A-Lator (Isolator)

22" Cushion

7" Double Locking Tracks

Adjustable Arms With E-Z Adjust Turn Wheel

Mesh Pocket On Back Of Seat

Low-Profile Suspension

Air Lumbar

Suspension Skirt

Optional Heater

Legacy [®] LO	High Back	Mid Back
Legacy [®] LO	188409	188598
Legacy [®] LO Two Tone	188321	N/A

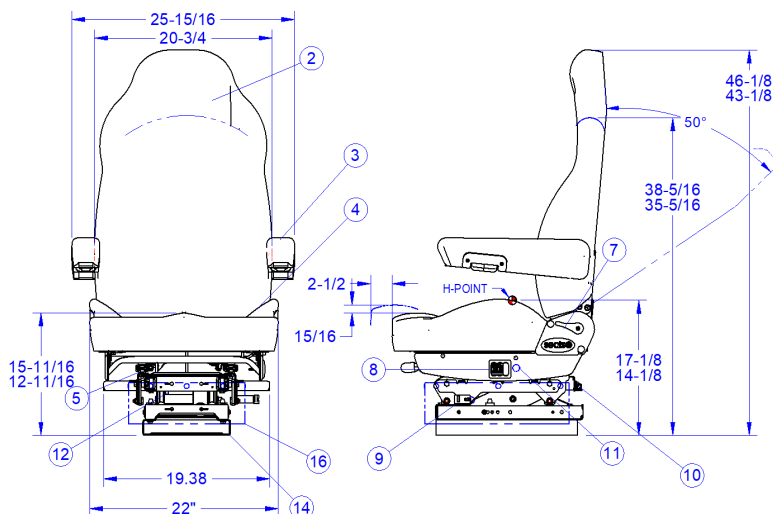
- Add letter for fabric type and color code: "F" for Tuff Cloth, "M" for DuraLeather™, or "Q" for Tuff Cloth & DuraLeather™ Combo
188409M
- Then add "W" for underadjust arms or "N" for no arms
188409MW
- Then add 2, 3 or 4 Digit corresponding color code - see below
188409MW61

Optional Features:

- "H" Heater
188409MWH61 Legacy[®] LO with Heater

Tuff Cloth(F)		DuraLeather™(M)		Two-Tone DuraLeather™(M) or Tuff Cloth/DuraLeather™(Q)	
Black	631	Black	61	Black/Blue	1162
Brown	633	Blue	62	Black/Brown	1163
Gray	635	Brown	63	Black/Burgundy	1164
		Burgundy	64	Black/Gray	1165
		Gray	65	Black/Gray Tuff Cloth	1425

SyncCloth and Tufftex™ available for service parts only





Legacy[®]

LO

Service Parts

Ref. #	Description	Part Number	
Back Assemblies & Back Covers			
2		Highback	Midback
	Standard Back Assembly - Single Air Lumbar	188003	188021
	Two-Tone Back Assembly - Single Air Lumbar	188013	188024
	Standard Back Cover	310137	310138
	Two-Tone Back Cover	310146	310147
Arms & Arm Hardware			
3	Set of Arms	181969	
	Left Arm	181970	
	Right Arm	181971	
	Left Arm Cover	310144	
	Right Arm Cover	310145	
	Armrest Hardware - L or R	182452PS	
	Arm Removal Plug	185434PS	
Cushion Assemblies			
4	Standard Cushion Assembly	188004	
	Two-Tone Cushion Assembly	188014	
Additional Service Parts			
5	7" Double Locking Tracks on or before 3/31/2018	110168PS	
	7" Double Locking Tracks on or after 4/1/2018	114030PS	
	Shock Absorber	102362PS	
8	Air Valve, Height & Lumbar on or before 12/31/2018	781188PS	
	Air Valve, Height & Lumbar on or after 1/1/2019	781211PS	
	Bezel	781208PS	
7	Recliner Adjustment Knob With Hardware	180301PS	
	Recliner Replacement Kit	182414PS	
10	ICP	309195PS	
12	Air Spring	103351PS	
14	Low Profile Air Suspension With Isolator	188144PS	
11	Heater Toggle Switch	188047PS	
	Heater Massage Toggle Switch	188075PS	
	12 Volt Heater Box *Extended 20 business day lead-time*	185533PS	
	12 Volt Heater Massage Box *Extended 20 business day lead-time*	185534PS	
	Shoulder Bolt	707843PS	
	Rubber Bumper - Along Side on or before 5/1/2018	707940PS	
	Conical Bumper - Back of Suspension on or before 5/1/2018	707813PS	
	Rubber Bumper - Along Side on or after 5/2/2018	781435PS	
	Conical Bumper - Back of Suspension on or after 5/2/2018	708117PS	
9	Isolator Handle with Pin on or after 4/1/2018	186338PS	
16	Skirt on or before 5/1/2018	181331VN459	
	Skirt on or after 5/2/2018	186305VN459	